

INTERIOR ELEVATION

Guide Fastener Spacing & Track Bracket Spacing Similar for Both Guides. Scale: None

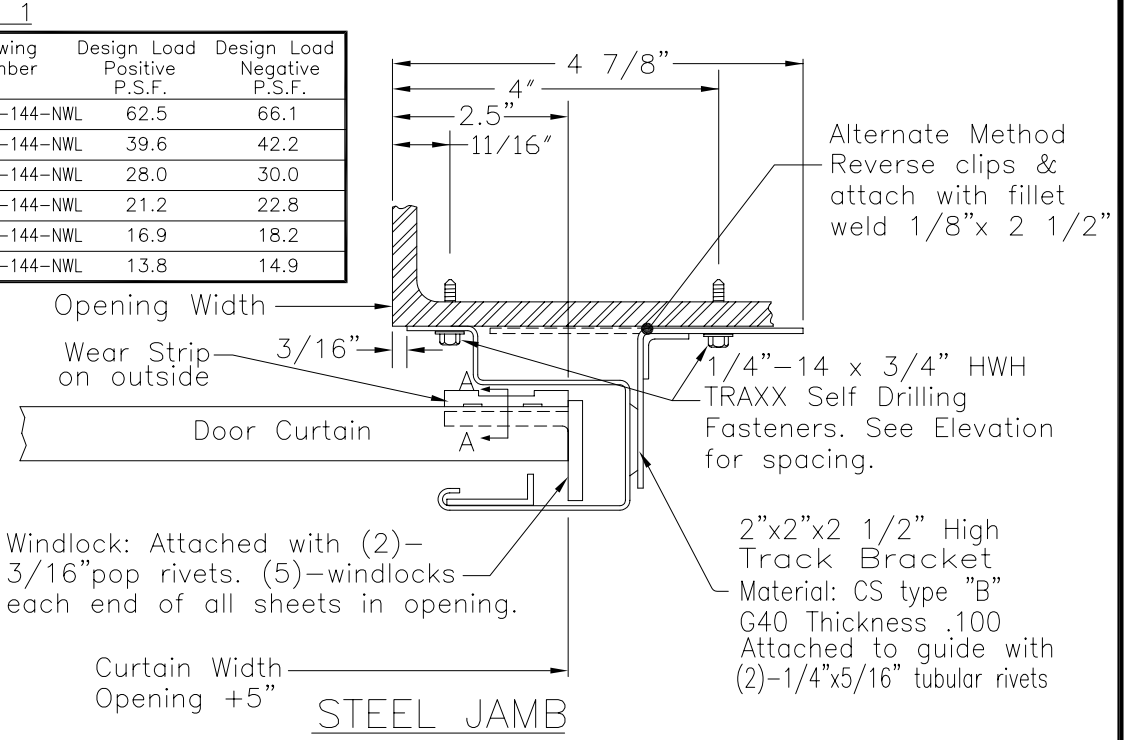
Door Curtain: .017±.001 Hot Dip Galvanized Steel ASTM A-653 Structural Steel (Grade 80) With Full Coat Of Primer And Baked Polyester Finish Coat.

SECTION @ DOOR

Scale: None

TABLE 1

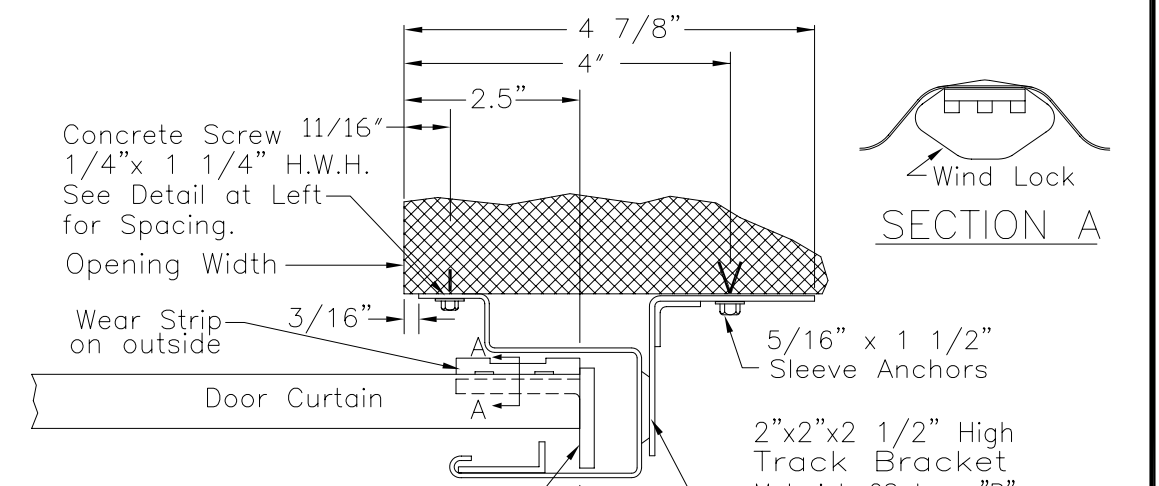
Model	Maximum Door Width	Maximum Door Height	Drawing Number	Design Load Positive P.S.F.	Design Load Negative P.S.F.
652	8'-0"	16'-0"	652-30-144-NWL	62.5	66.1
652	10'-0"	16'-0"	652-30-144-NWL	39.6	42.2
652	12'-0"	16'-0"	652-30-144-NWL	28.0	30.0
652	14'-0"	16'-0"	652-30-144-NWL	21.2	22.8
652	16'-0"	16'-0"	652-30-144-NWL	16.9	18.2
652	18'-0"	16'-0"	652-30-144-NWL	13.8	14.9



STEEL JAMB

Windlock: Attached with (2)-3/16" pop rivets. (5)-windlocks each end of all sheets in opening.

Curtain Width Opening +5"

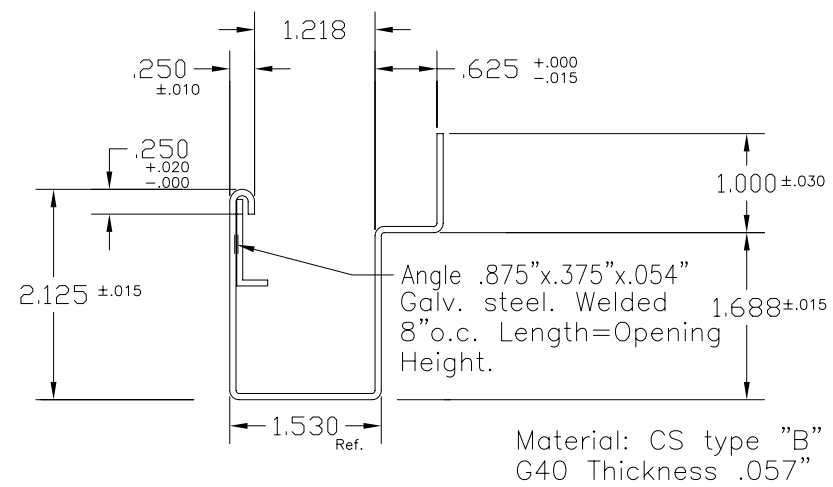


MASONRY JAMB

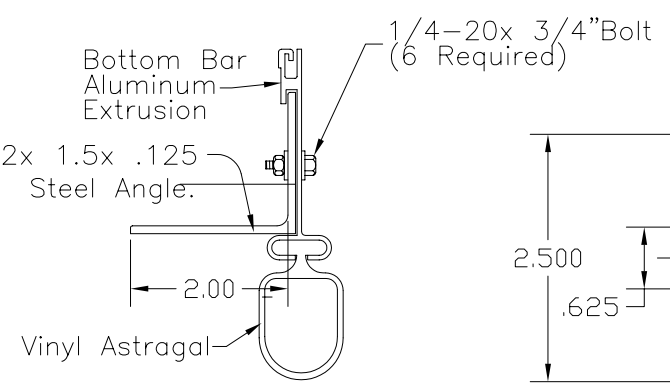
Windlock: Attached with (2)-3/16" pop rivets. (5)-windlocks each end of all sheets in opening.

Curtain Width Opening +5"

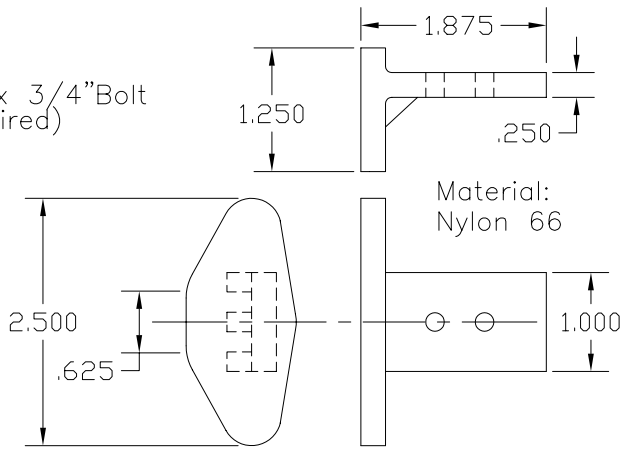
Refer to test report Number USD-04-2 Dated 01/05/05



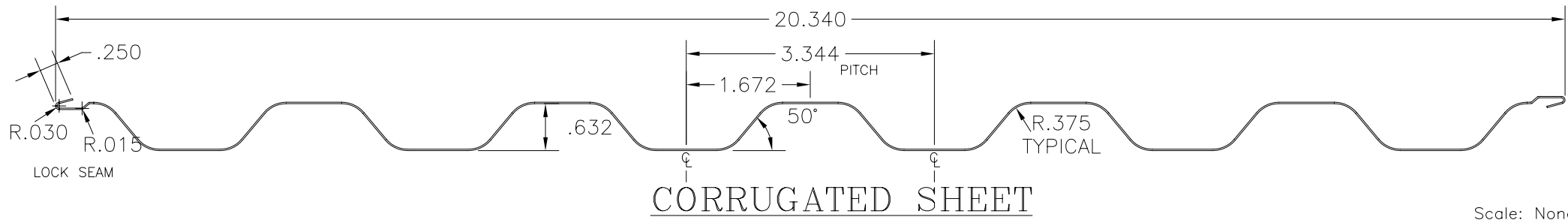
DOOR GUIDE



BOTTOM BAR



WIND LOCK P/N U220011



CORRUGATED SHEET

Scale: None

Doors designed for 28 #/ft² POS. & 30#/ft² NEG. PSF wind load Maximum door size 12'-0" wide x 16'-0" high

MODEL 652-30 Nylon Wind Locks

U.S. Door & Building Components

10407 Rocket Blvd. Orlando FL 32824
407.859.6770 Fax 407.447.2923 usdoor.com

JOB: _____
CONTRACTOR: _____
ARCHITECT: _____
ADDRESS: _____
DISTRIBUTOR: _____
ENGINEER: J.H. DIXON JR P.E. LIC No. FL7768

DATE: 10/01/04 SHEET: 1
DRAWN BY: C.D.W.
CHECKED BY: _____
DRAWING NUMBER: 652-30-144-NWL

Revised Jan. 5, 2005