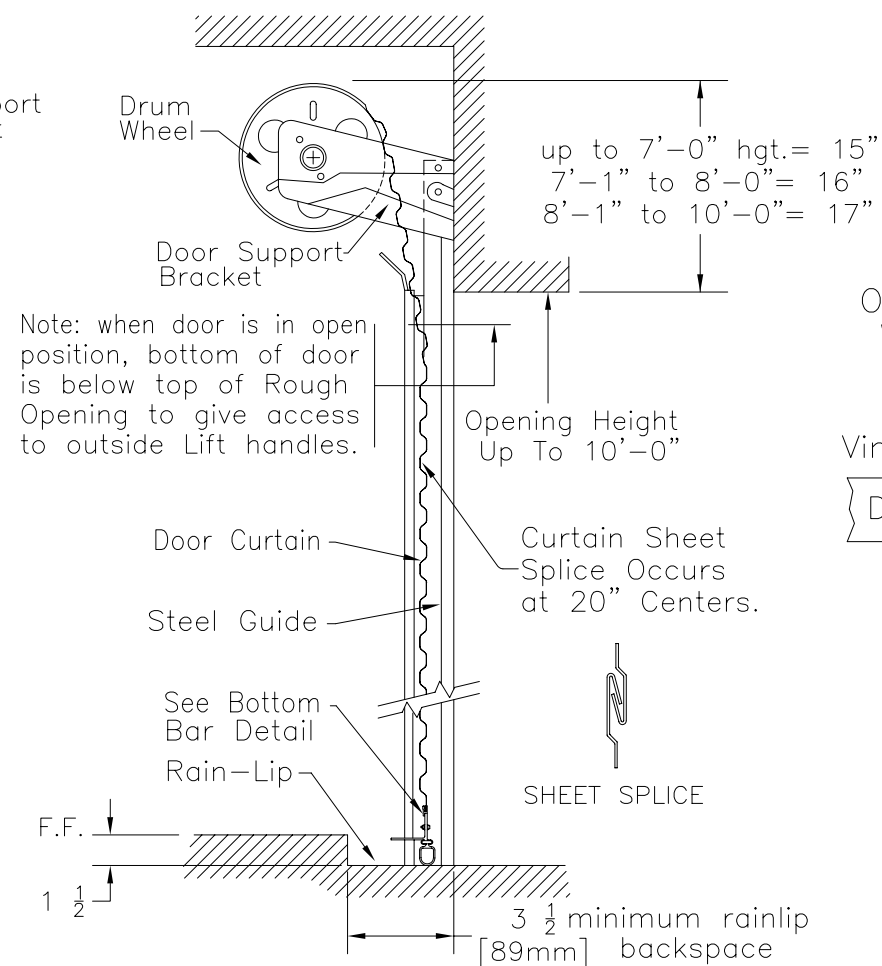


INTERIOR ELEVATION

Scale: None

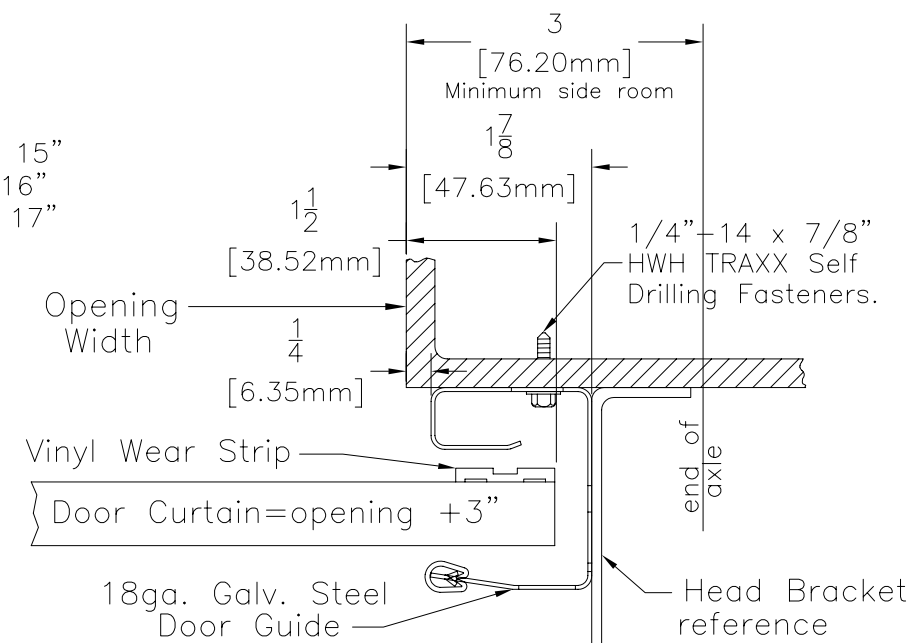
Mounting: maximum spacing of guide anchors "X" = 32".

Door Curtain: .017 Hot Dip Galvanized Steel
ASTM A-653 Structural Steel
(Grade 80) With Full Coat Of Primer And
Baked Polyester Finish Coat.

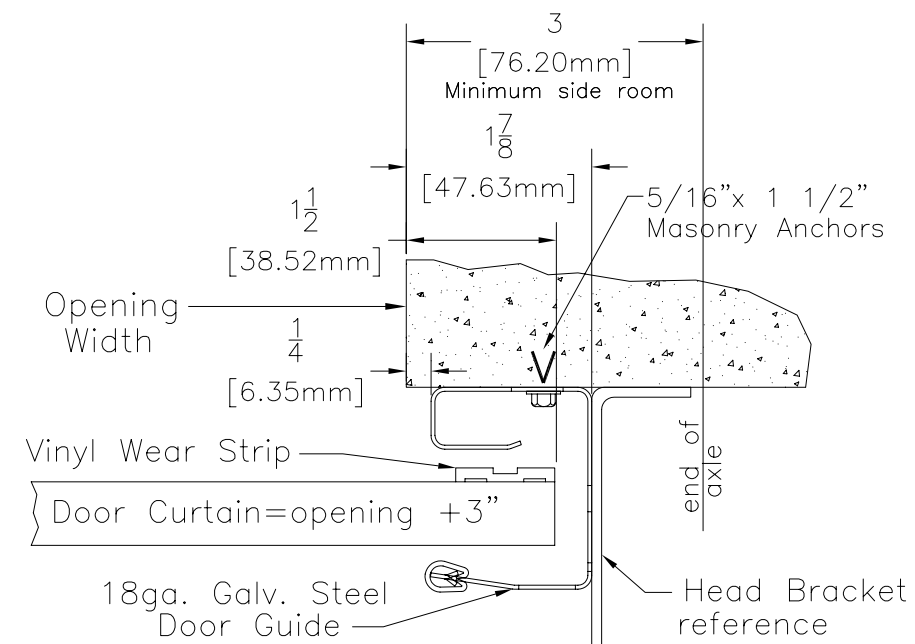


SECTION THRU DOOR

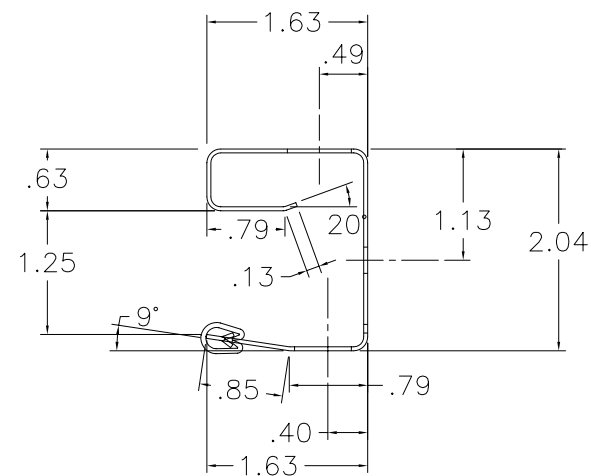
Scale: None



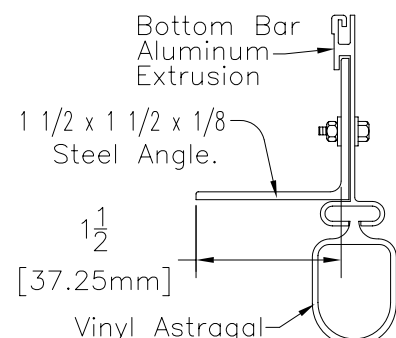
MODEL 502 STEEL JAMB



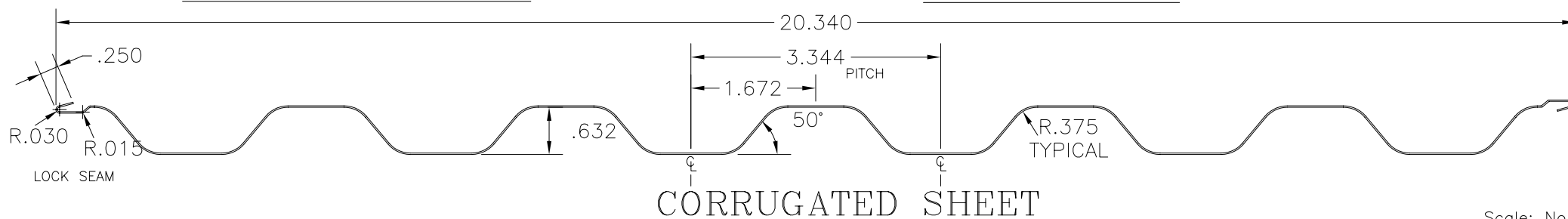
MODEL 502 MASONRY JAMB



502 DOOR GUIDE



BOTTOM BAR



CORRUGATED SHEET

Scale: None

"D"					
"C"					
"B"					
"A"				MANUAL	
DOOR	QTY.	WIDTH	HGT.	TYPE OF OPERATION	SPECIAL COMMENTS

Maximum door size 10'-0" wide x 10'-0" high

MODEL 502

U.S. Door & Building Components

JOB: _____
CONTRACTOR: _____
ARCHITECT: _____
ADDRESS: _____
DISTRIBUTOR: _____
ADDRESS: _____

DATE: 02.14.07 SHEET: 1
DRAWN BY: C.D.W.
CHECKED BY: _____
DRAWING NUMBER: 502-00-120

10407 Rocket Blvd. Orlando FL 32824
407.859.6770 Fax 407.447.2923 usdoor.com